

nutribullet

CRISPLITE™ VISION

8L AIR FRYER

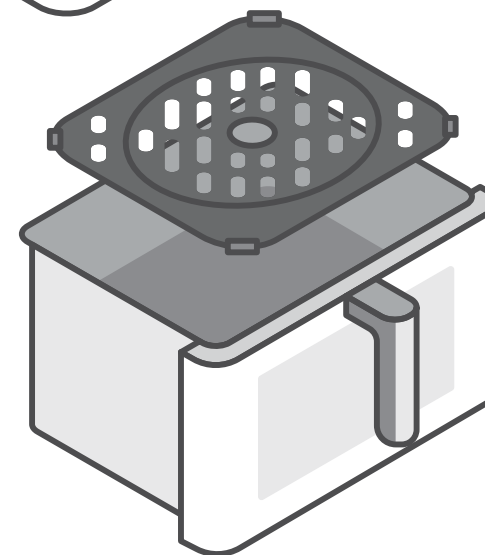
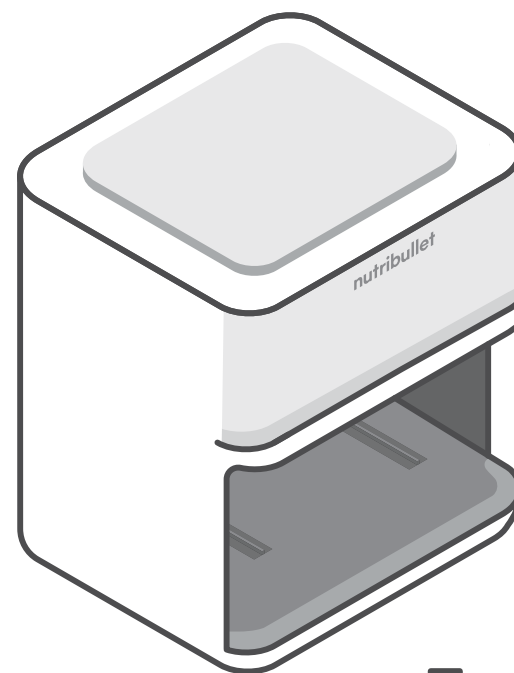


Quick guide.

EN Carefully read all the important safeguards instructions before using the product.

RU Готовые к использованию оптовые инструкции Carful по обслуживанию продукта.

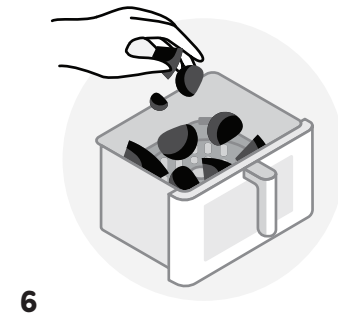
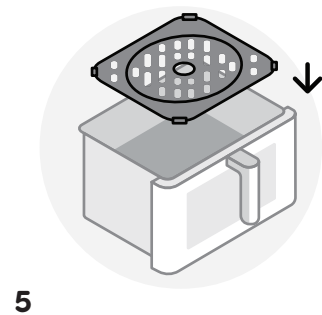
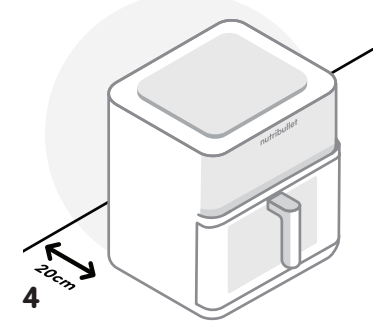
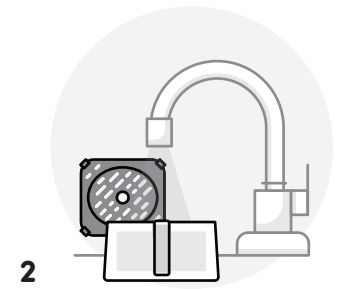
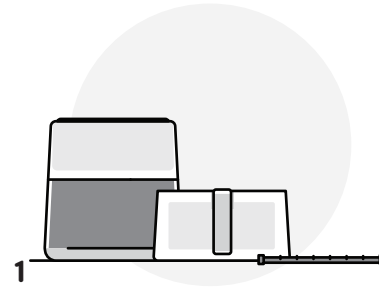
KZ Өнімге көмектесу үшін Carful Дайын Көтерме Нұсқаулар.

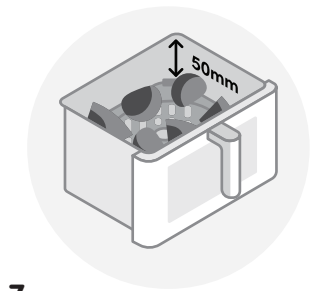




50°C 	✗	✓	
	✓	✓	

NBA0811DG

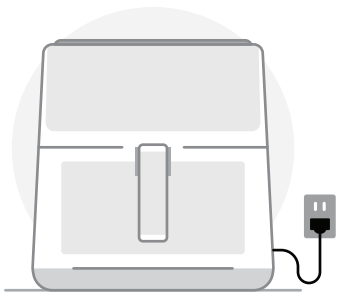




7



8



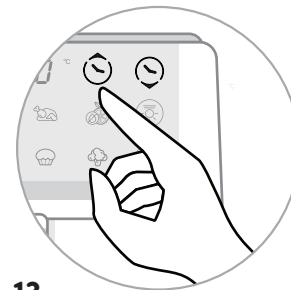
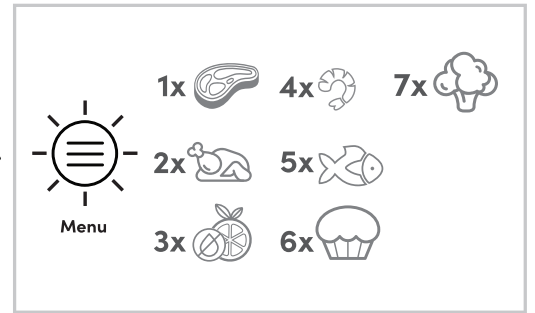
9



10



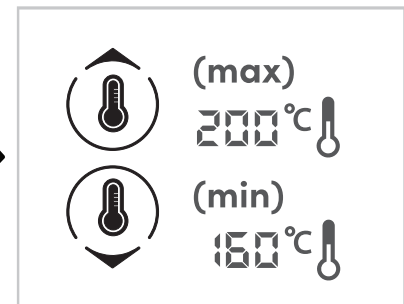
12



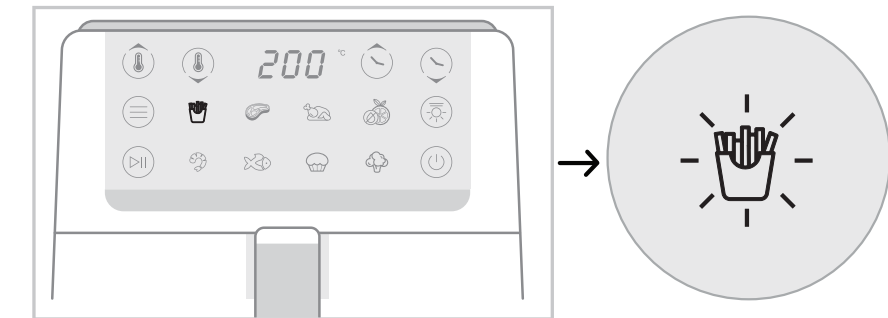
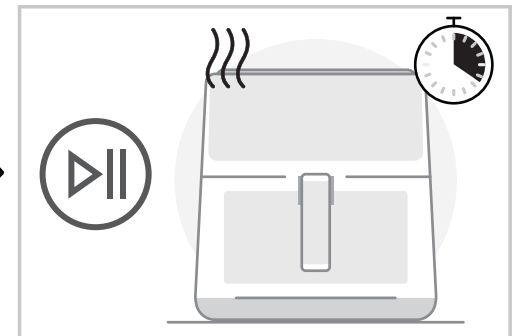
13



14



15



11



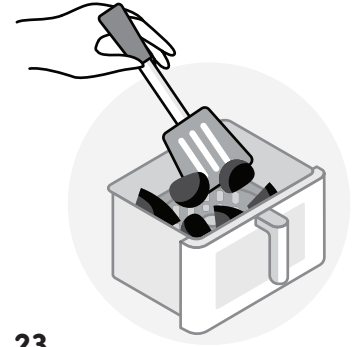
16



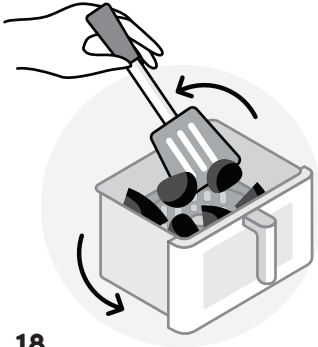
17



22



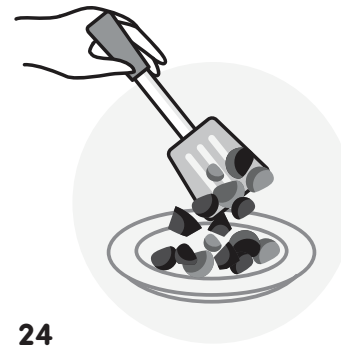
23



18



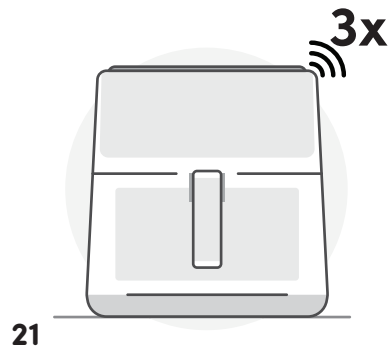
19



24



20



21

Capital Brands Distribution, LLC | nutribullet.ru | All rights reserved.
nutribullet® and the nutribullet® logo are trademarks of CapBran Holdings, LLC
registered in the U.S.A. and worldwide.

Illustrations may differ from the actual product. We are constantly striving
to improve our products, therefore the specifications contained herein
are subject to change without notice.

241206_nutribullet® CrispLite Vision 8L Air Fryer_NBA0811DG